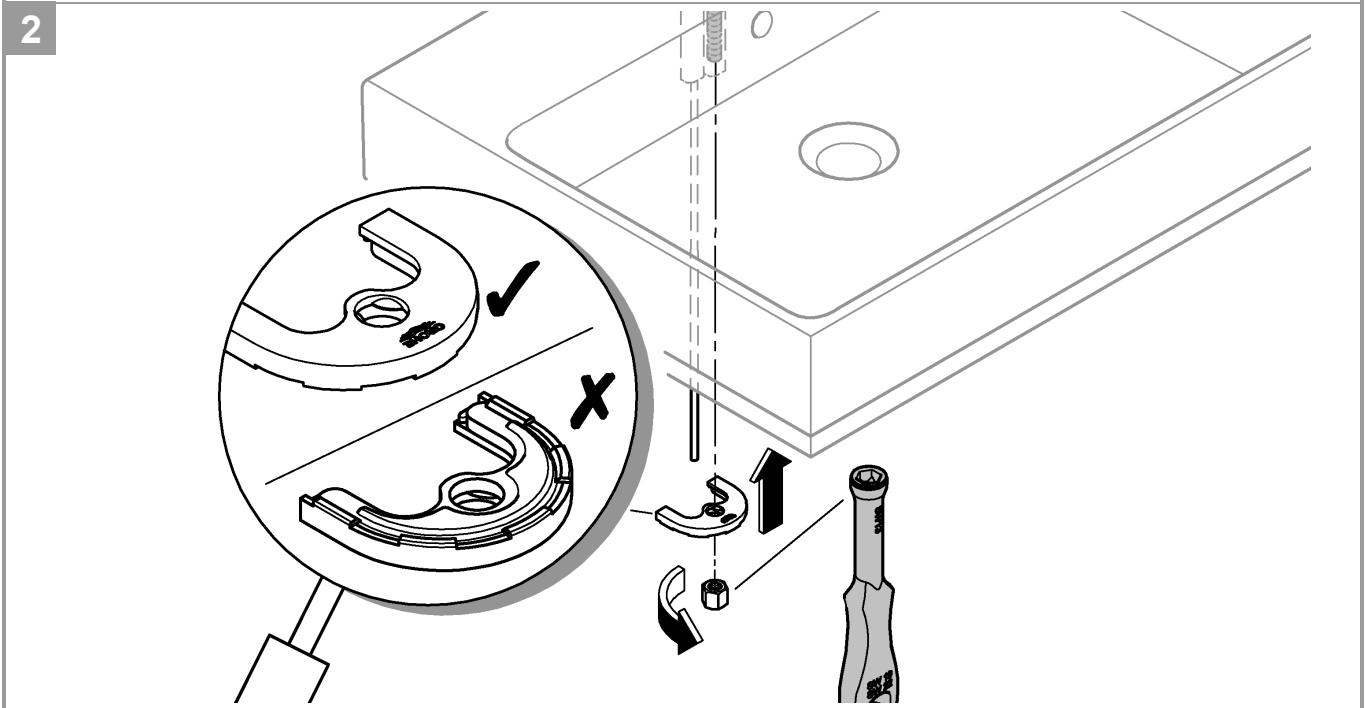
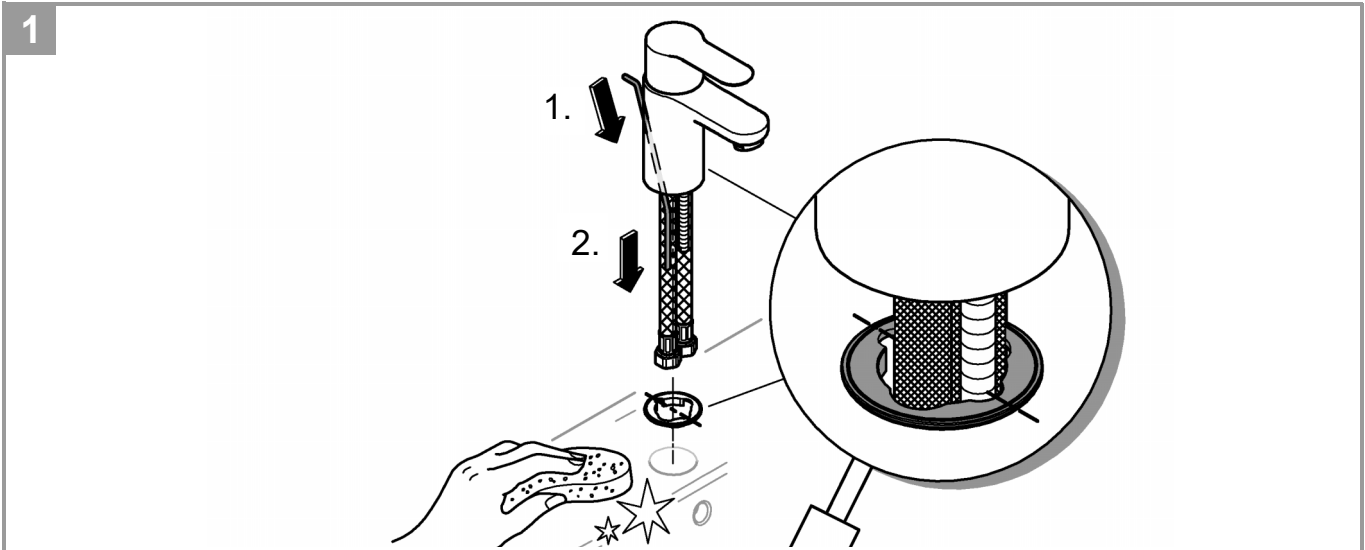
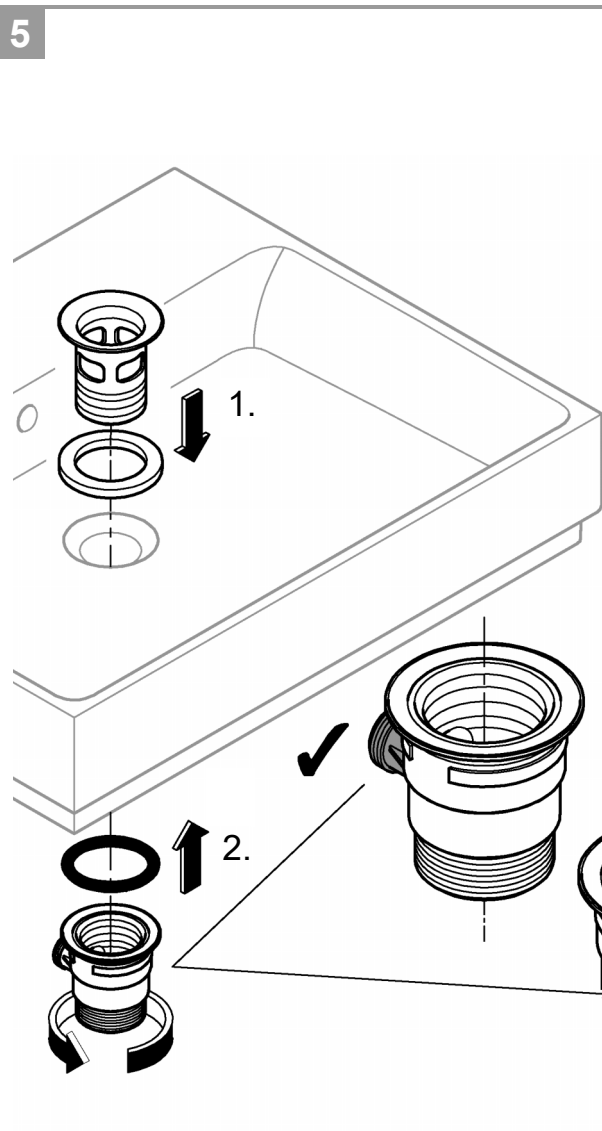
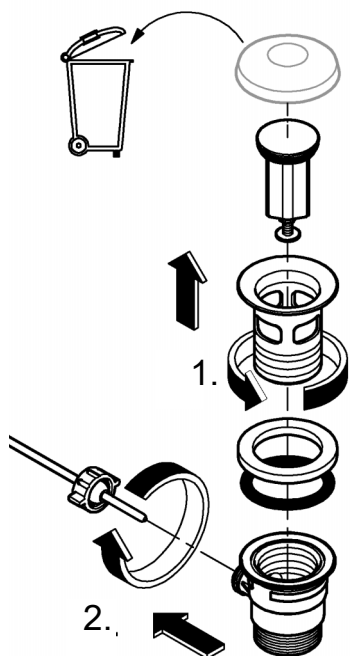
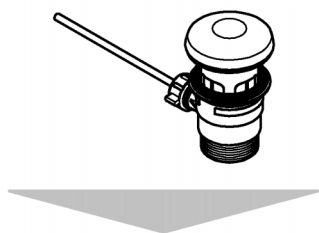
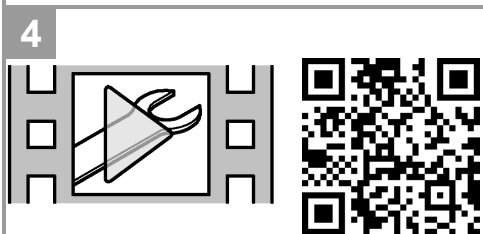
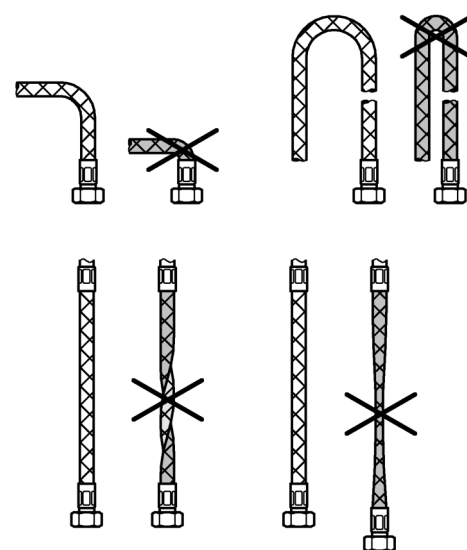
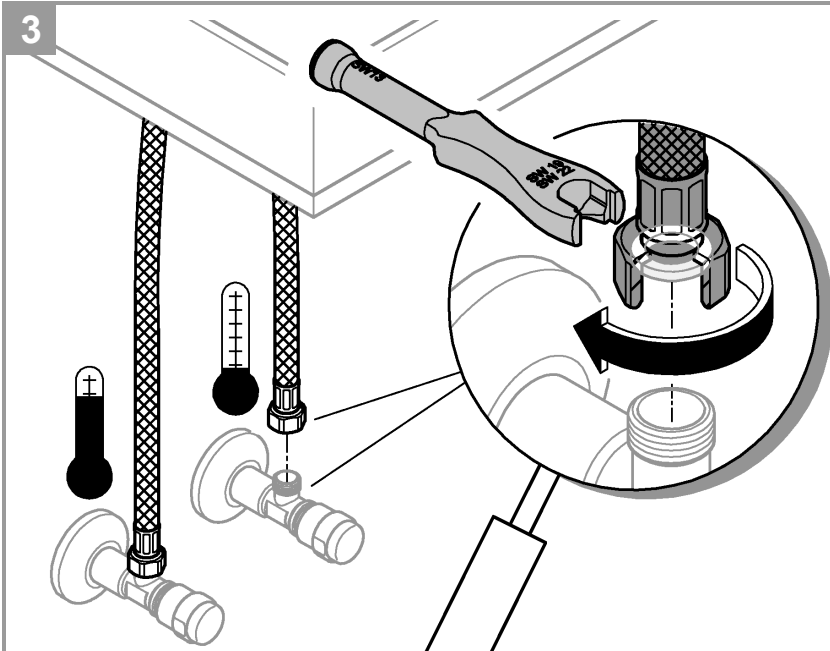




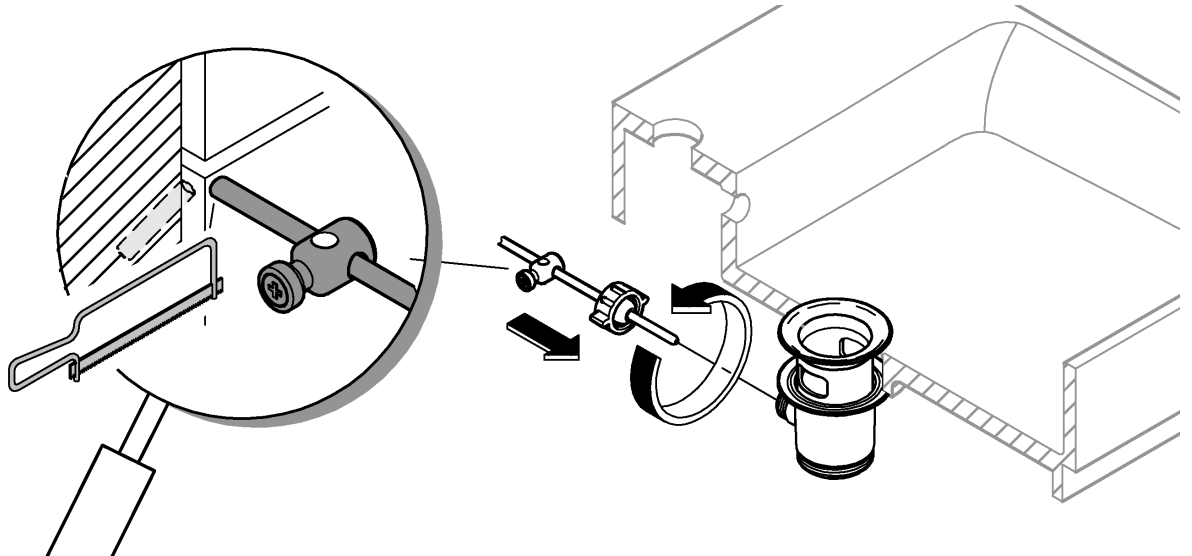
	DIN 1988	 bar	 °C
	DIN EN 806		

	 13mm 19mm 22mm			
--	--------------------------	--	--	--

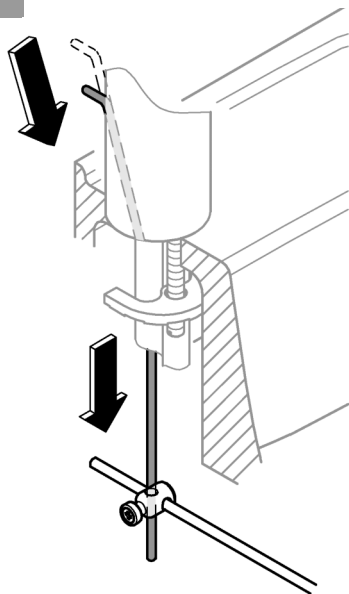




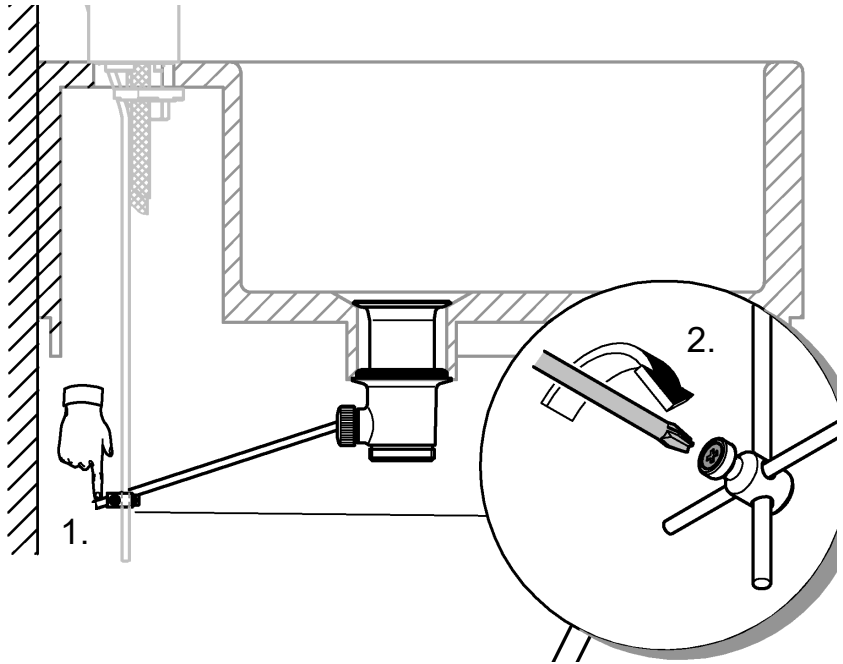
6



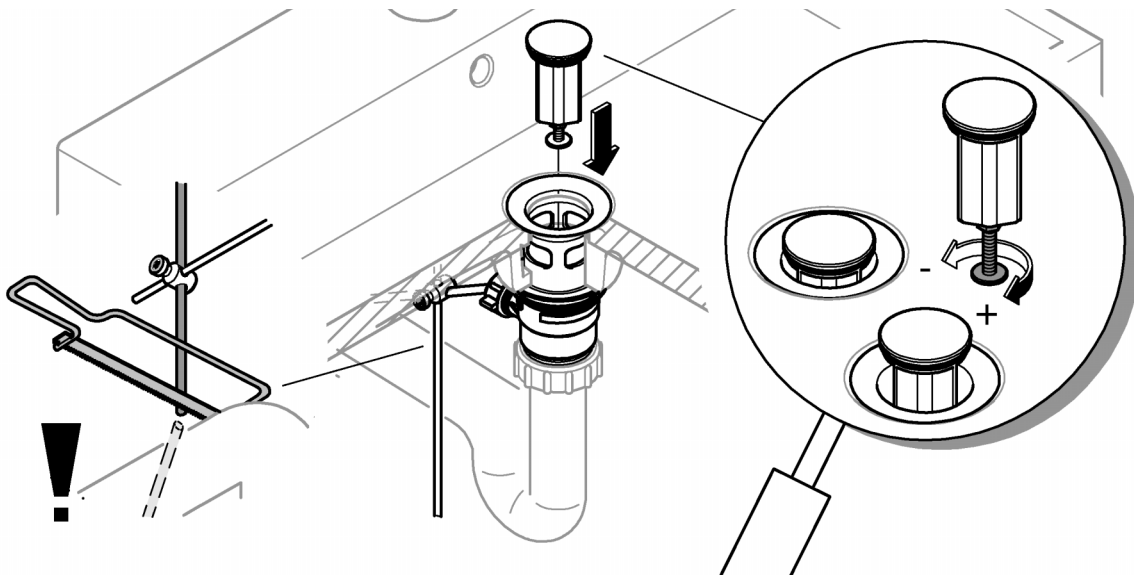
7

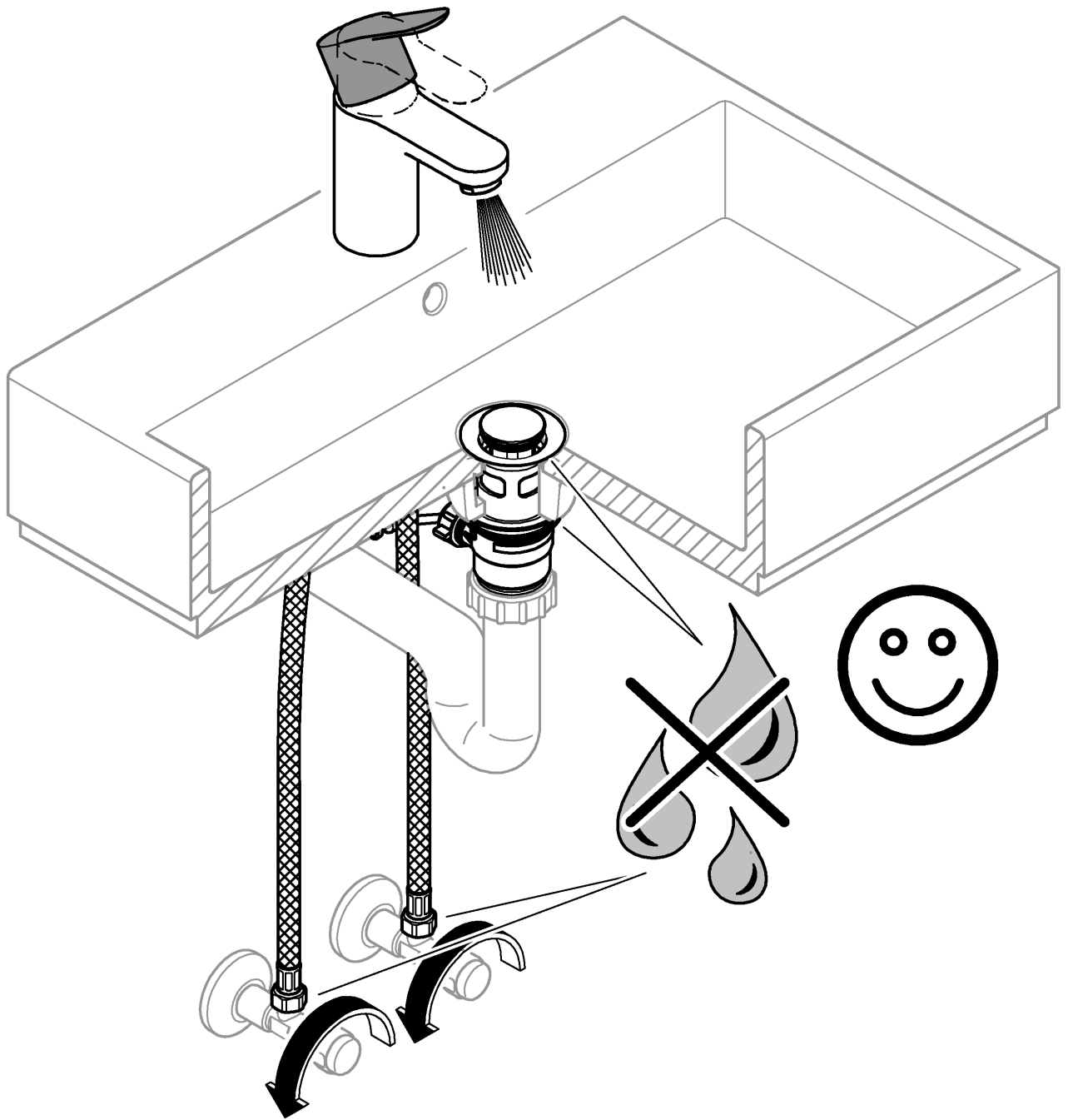


8



9







A set of 22 horizontal lines for writing on a page. The lines are evenly spaced and span the width of the page, starting from the first line below the header and ending at the bottom of the page.