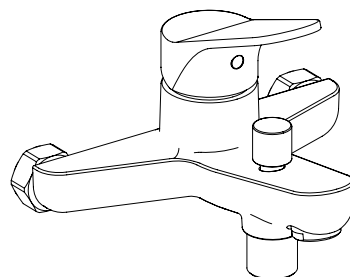
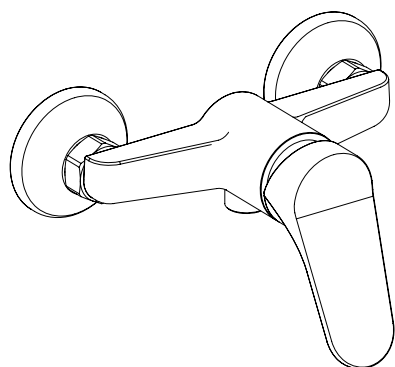
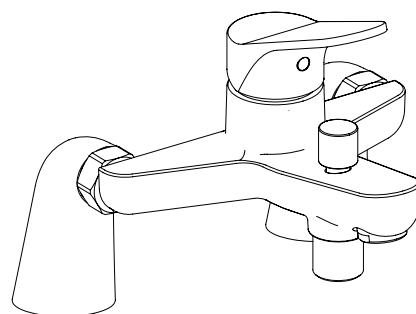
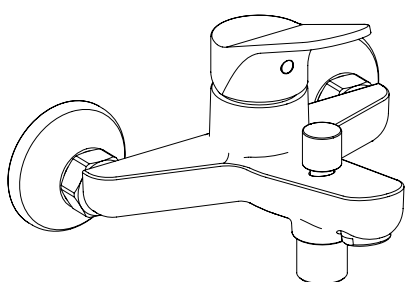
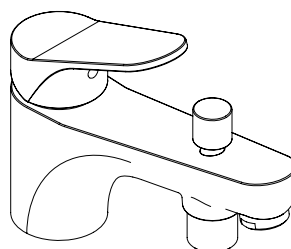
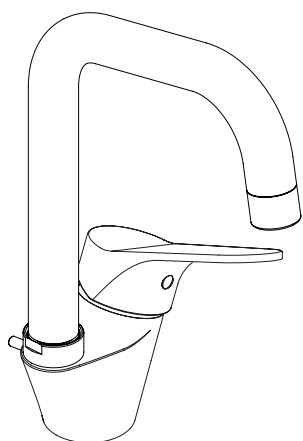
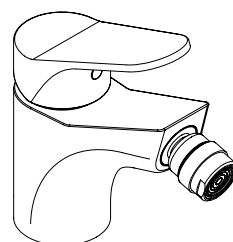
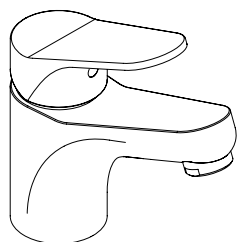
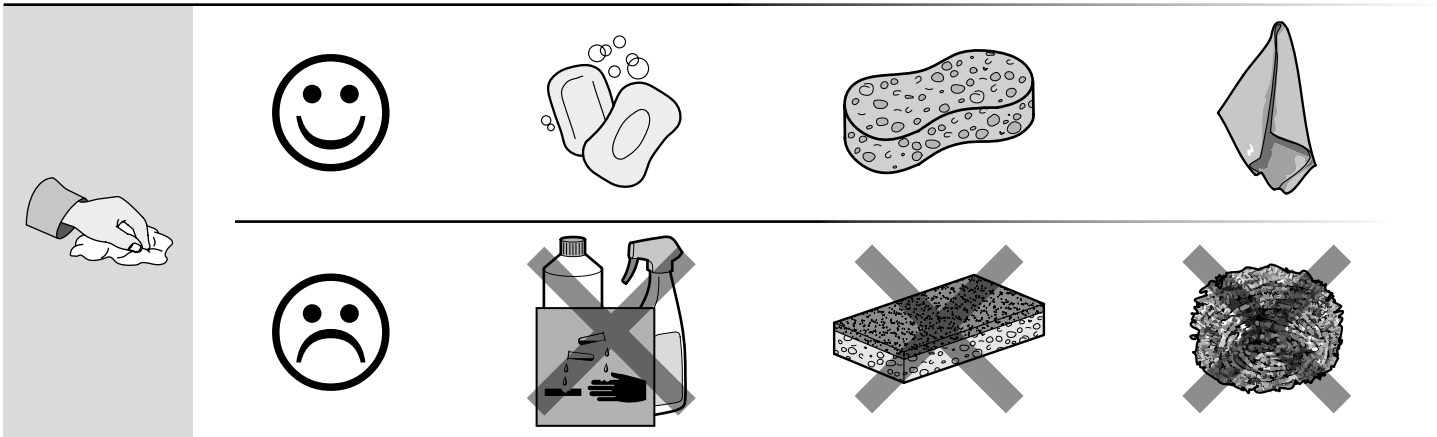
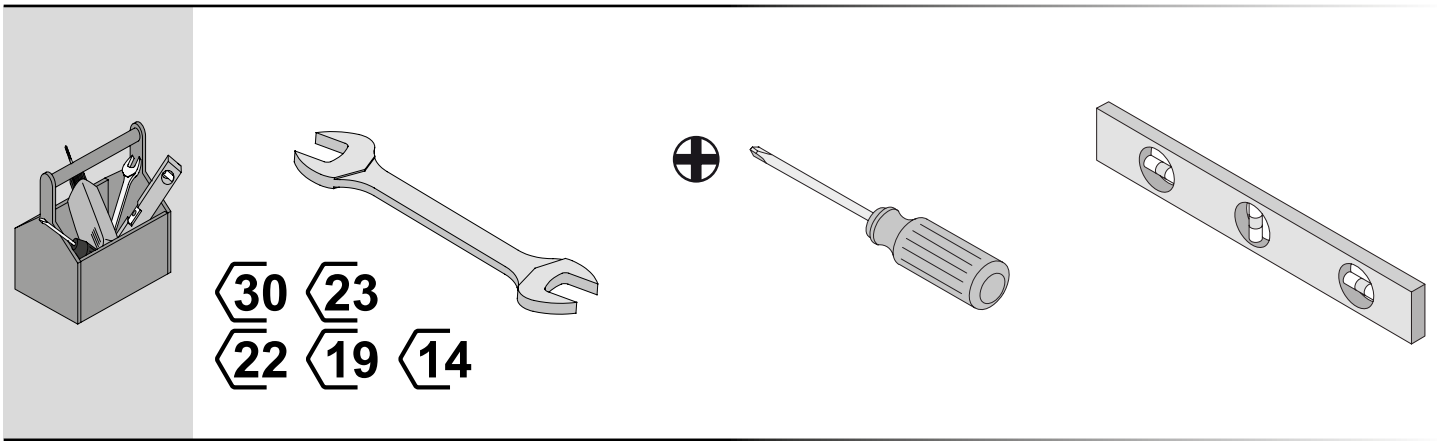


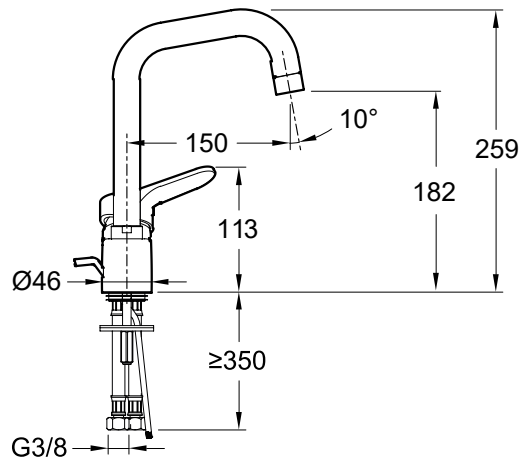
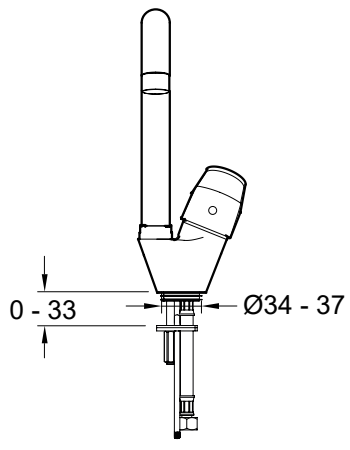
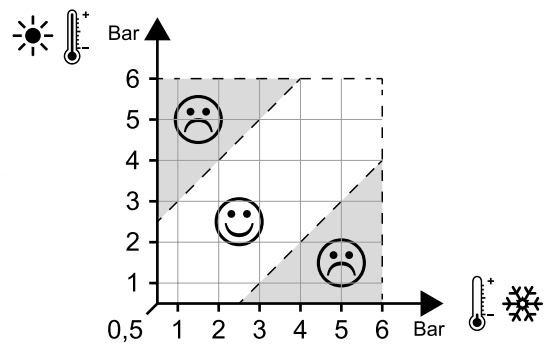
Jacob Delafon



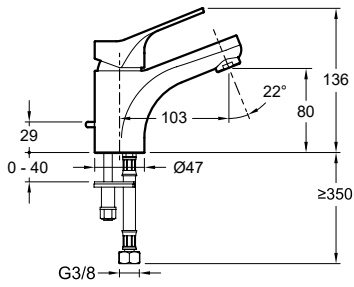
BRIVE



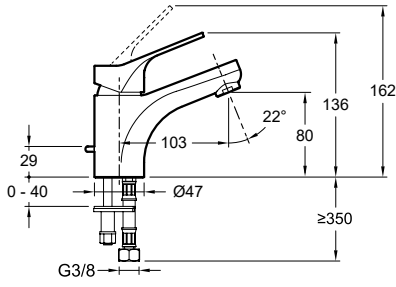
	Bar	0.5 < 3 < 6
	°C	55 < 60 < 65



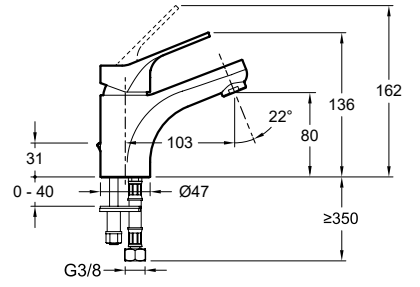
E78116-4-** ▶ Ch3



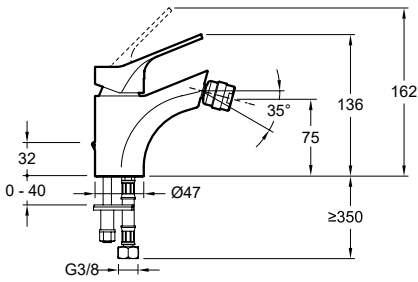
E75759-4-** ▶ C3
E78111-4-** ▶ C3



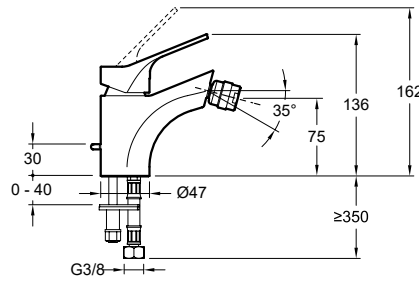
E75760-4-** ▶ C1
E75762-4-** ▶ C1
E78110-4-** ▶ C1



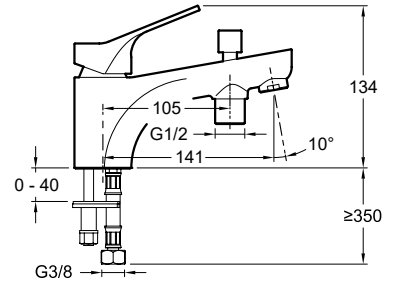
E75761-4-** ▶ C1



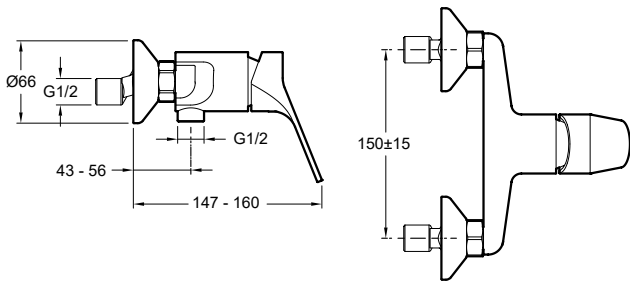
E75764-4-** ▶ C1



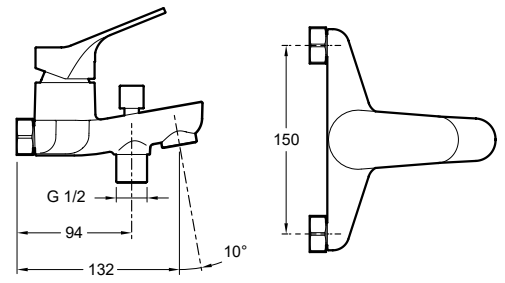
E75763-4-** ▶ C1



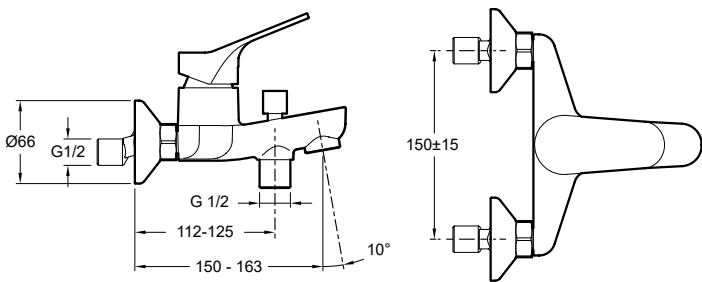
E75769-4-** ▶ C2



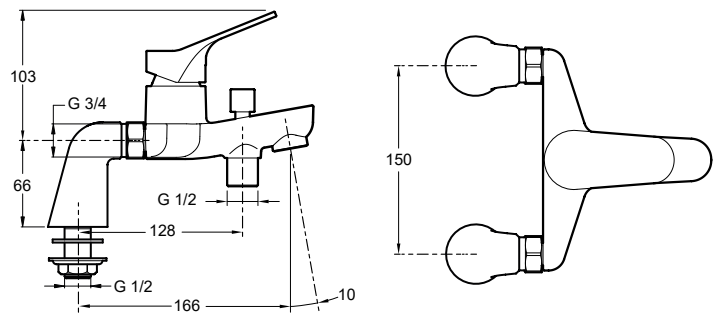
E75765-** ▶ C2



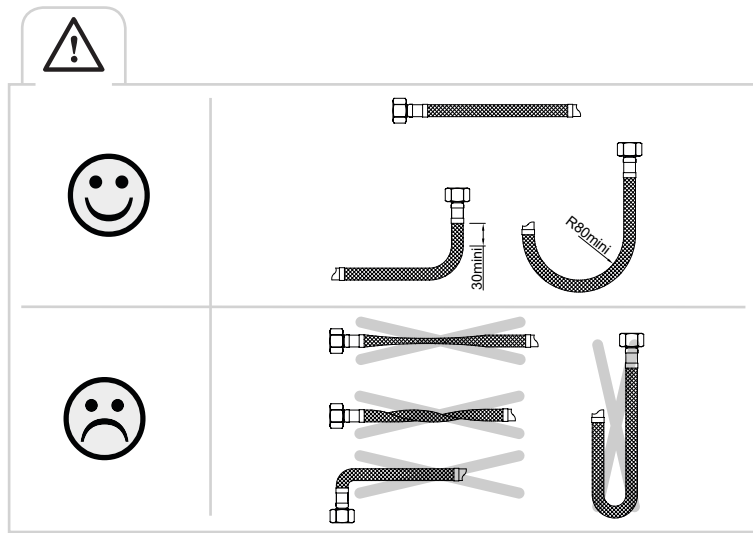
E75767-** ▶ C2



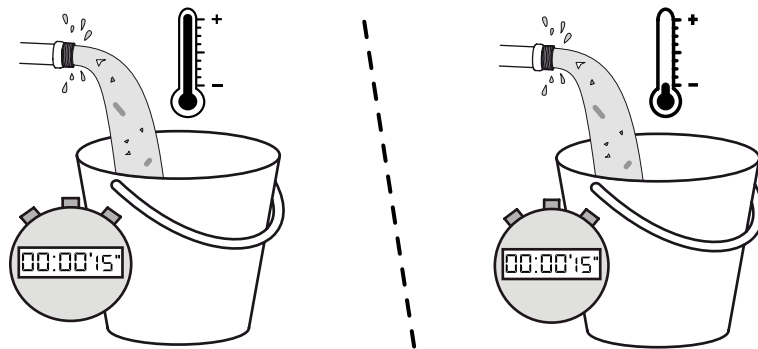
E75766-** ▶ C2



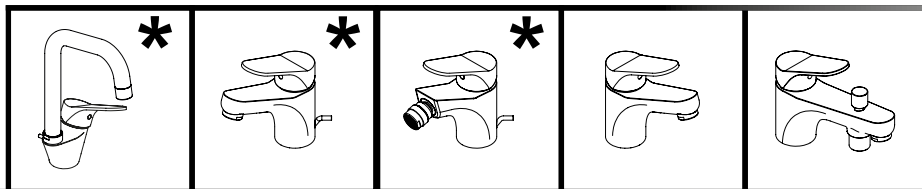
E75768-** ▶ C2



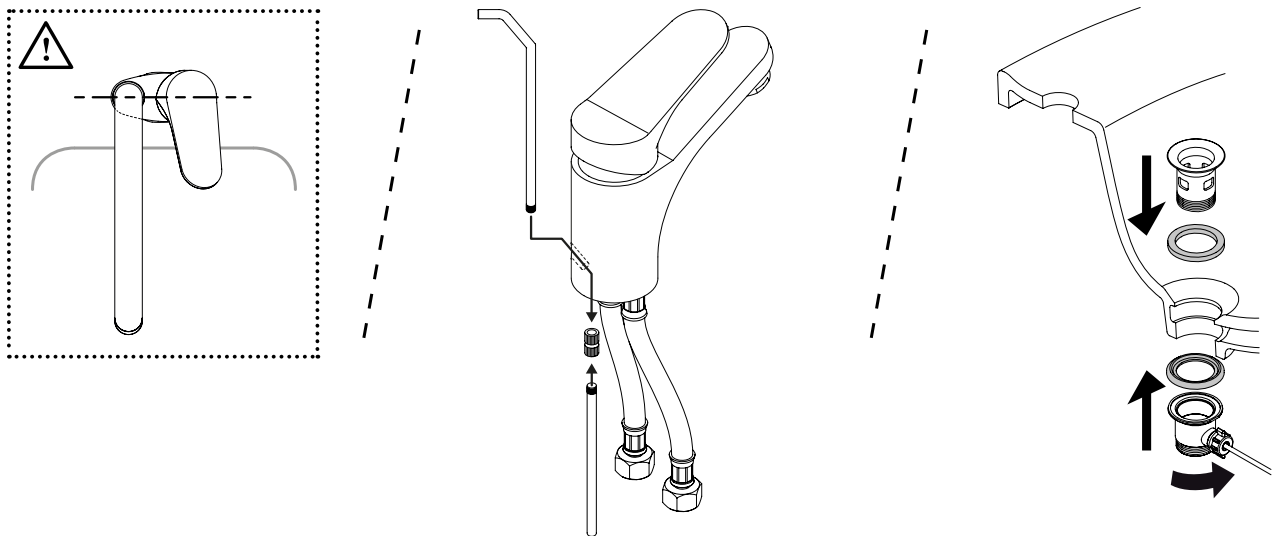
1

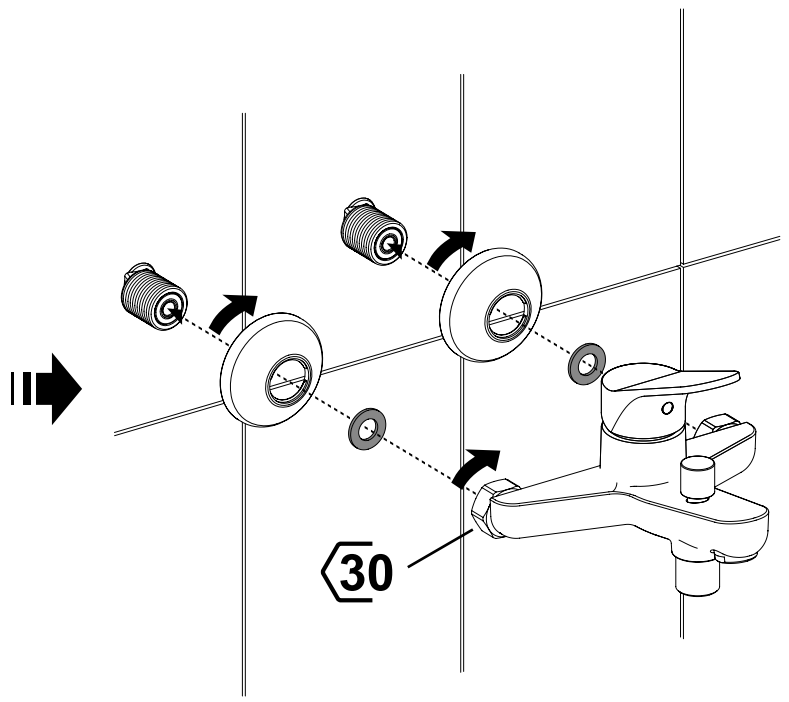
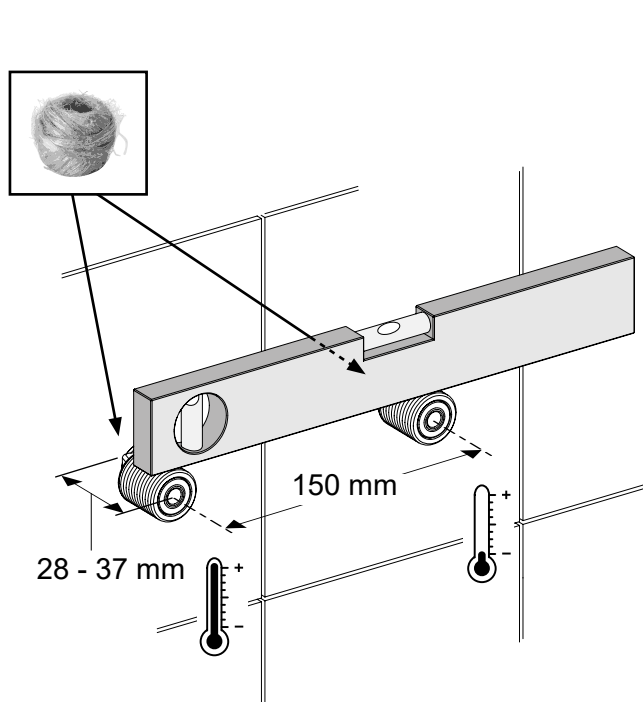
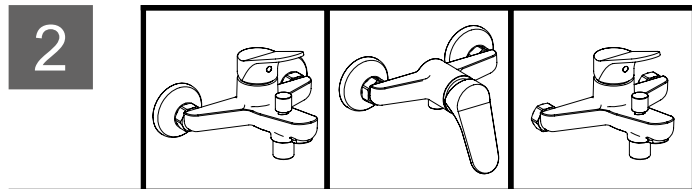
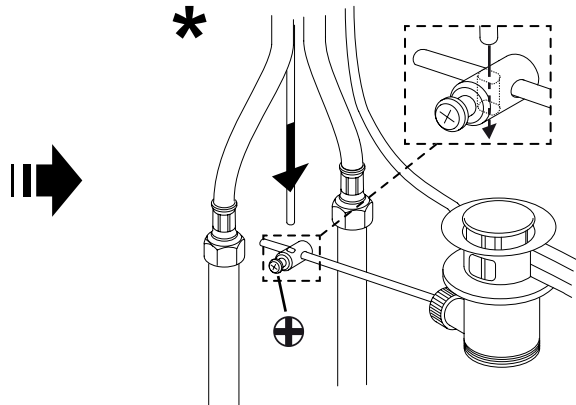
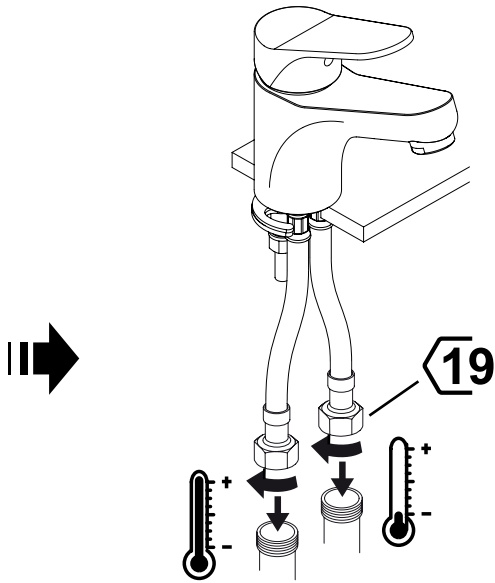
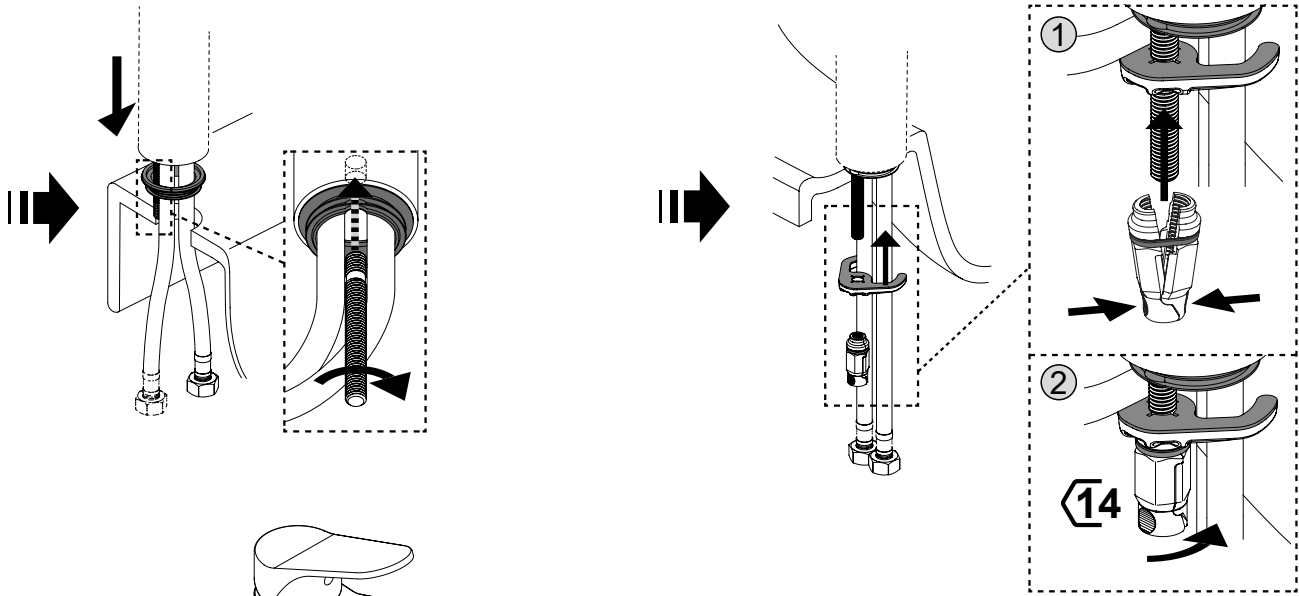


2

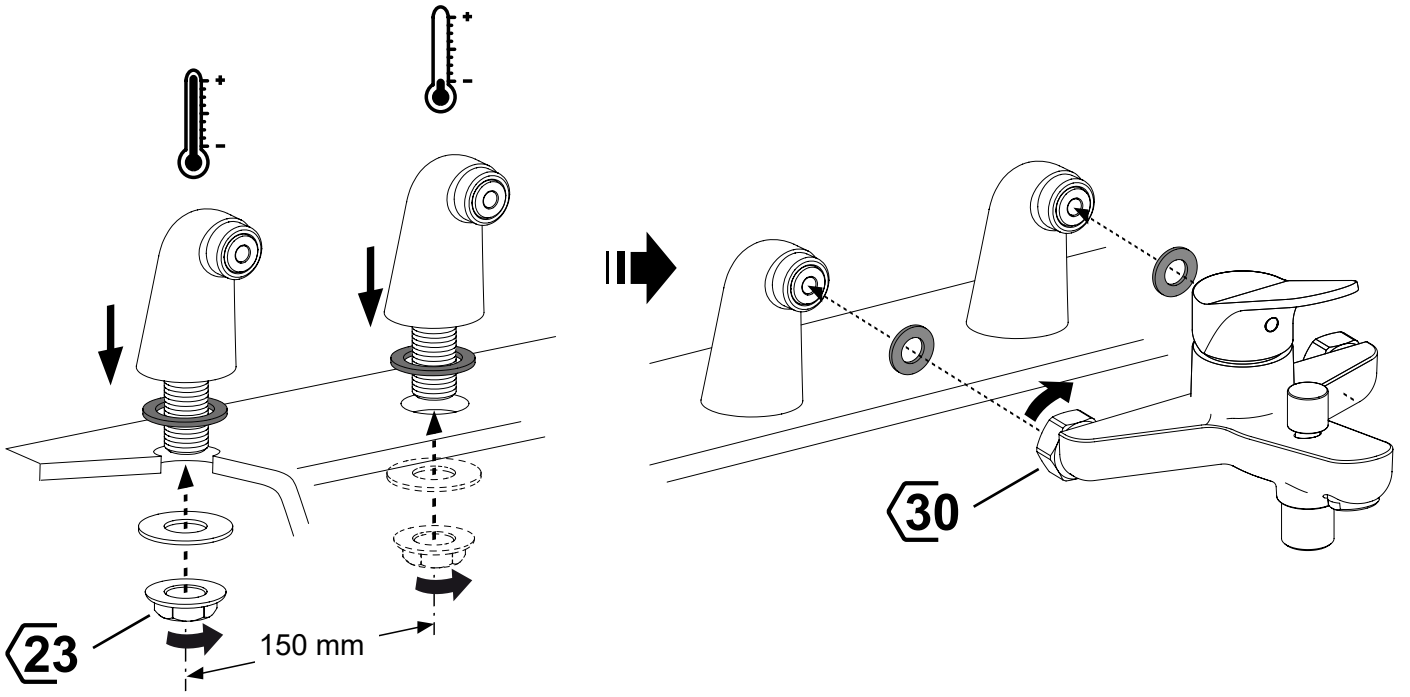
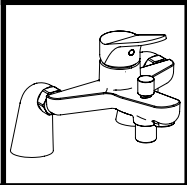


*

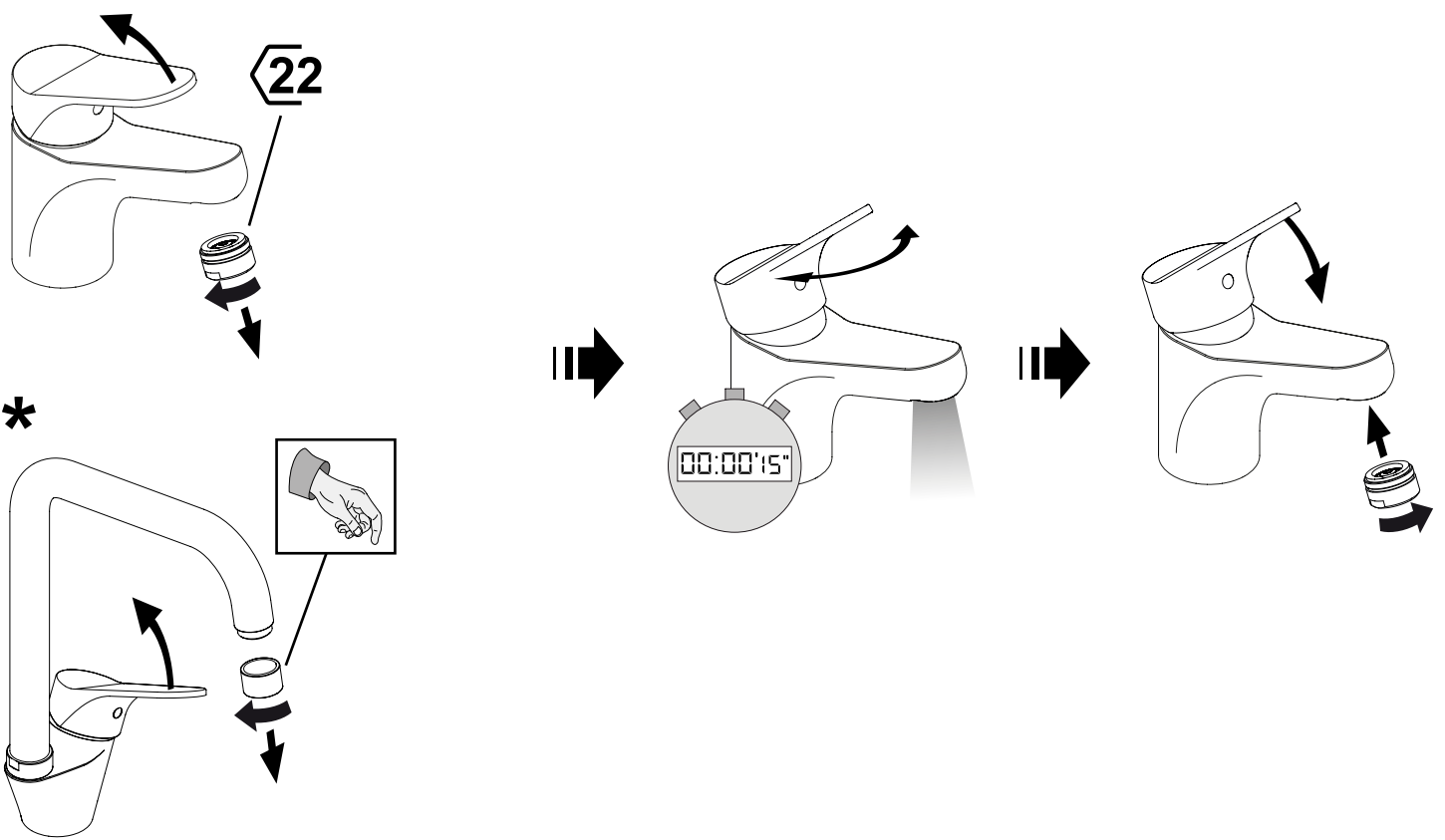
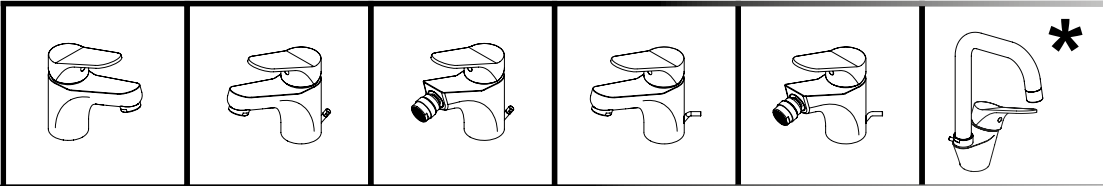




2



3



3

