

Easy Solar Kit All-In-One Solution





Balcony



Courtyard

Applications



Highlights

1

All-In-One

The system integrates with solar panels, inverters and cables. Portable and foldable for various applications.

2

Easier Installation

Plug & play connection, no requirement for professional installation, saving installation costs.

3

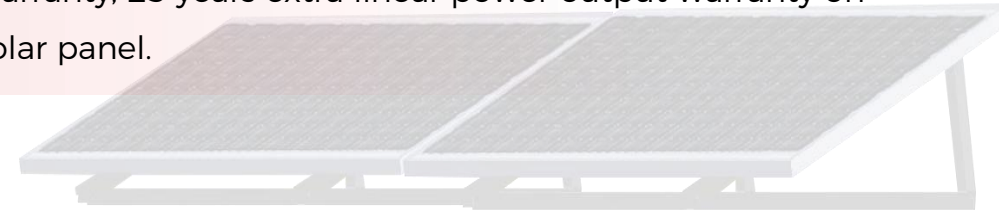
Portable

Compact and small sized, can be transported in a family-sized car.

4

Guaranteed Quality

Under one system of HERF warranty 12 years system warranty, 25 years extra linear power output warranty on solar panel.



Product Range

**Balcony kit
-305W**

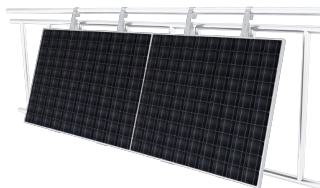
305W Hanging PV System



HERF300-P305S

(305W*1pcs Black PV Panel)

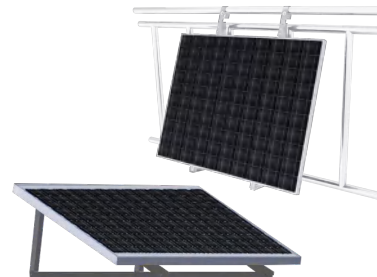
610W Hanging PV System



HERF300-P305S

(305W*2pcs Black PV Panel)

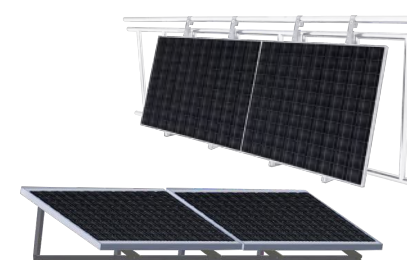
305W Hanging & Standing PV System



HERF300-P305N

(305W*1pcs Black PV Panel)

610W Hanging & Standing PV System

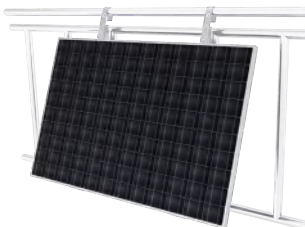


HERF600-P305N

(305W*2pcs Black PV Panel)

**Balcony kit
-355W**

355W Hanging PV System



HERF300-P355S

(355W*1pcs Black PV Panel)

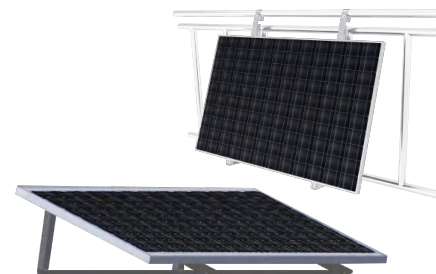
710W Hanging PV System



HERF300-P355S

(355W*2pcs Black PV Panel)

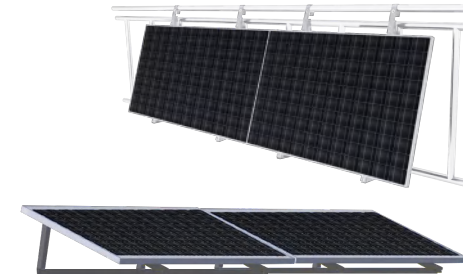
355W Hanging & Standing PV System



HERF300-P355N

(355W*1pcs Black PV Panel)

710W Hanging & Standing PV System



HERF600-P355N

(355W*2pcs Black PV Panel)

Product Range

Balcony kit
-without panel

300W Hanging PV System
without panel



HERF300-S

600W Hanging PV System
without panel



HERF600-S

300W Hanging & Standing PV
System without panel



HERF300-N

600W Hanging & Standing PV
System without panel



HERF600-N

Hanging Bracket



HERF-S

Standing & Hanging Bracket



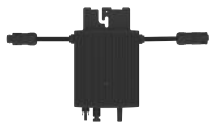
HERF-N

Balcony kit
-brackets



HERF300-P305S (305W*1 pcs Black PV Panel)

Packing List



Micro Inverter
300W x 1 pcs



Hanging Bracket
1 pcs



Black PV Panel
305Wx 1 pcs



AC End Cable
with EU Plug
1 pcs (3 meters)



Hook
2 pcs

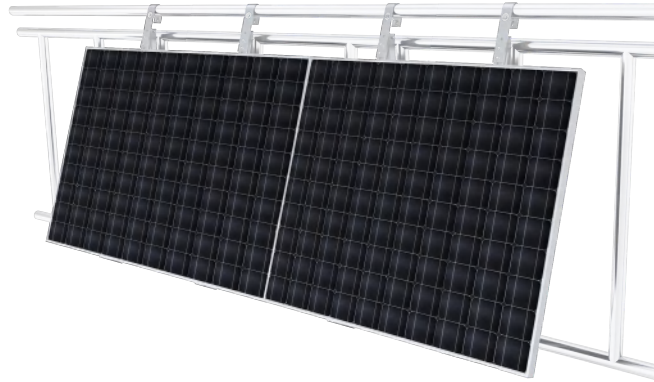
Model	HERF300-P305S
Input	
Input power	305Watt*1
PV open circuit	43.9VOC
Maximum Power Voltage	36.5V
PV short-circuit current	8.75A
Output	
Rated output power	300W
Rated output current	1.3A
Rated voltage range	180-270V (@230V)
Rated frequency range	45-55Hz
Efficiency	96.5%

Appearance and technical features

Temperature range	-40°C to +65°C
Package Size (L*W*H)	1370*1200*170mm
Communication mode	WIFI
Monitoring	APP
Waterproof grade	Ip67
Electromagnetic Detection	EN50081.part1 EN50082.part1 CSA STD.C22.2No.107.1
Power Grid standard	EN61000-3-2 EN62109 UL STD.1741
Power grid detection	DIN VDE0126 IEEE STD.1547.1 1547.A
Certificate	CE, Patented technology

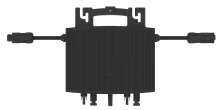
Container loading information

6 Sets/Pallet 30 Pallets/40HQ 180 Sets/40HQ



HERF600-P305S (305W*2pcs Black PV Panel)

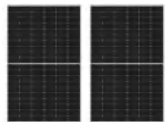
Packing List



Micro Inverter
600W x 1 pcs



Hanging Bracket
2 pcs



Black PV Panel
305Wx 2pcs



AC End Cable
with EU Plug
1 pcs (3 meters)



Hook
4 pcs

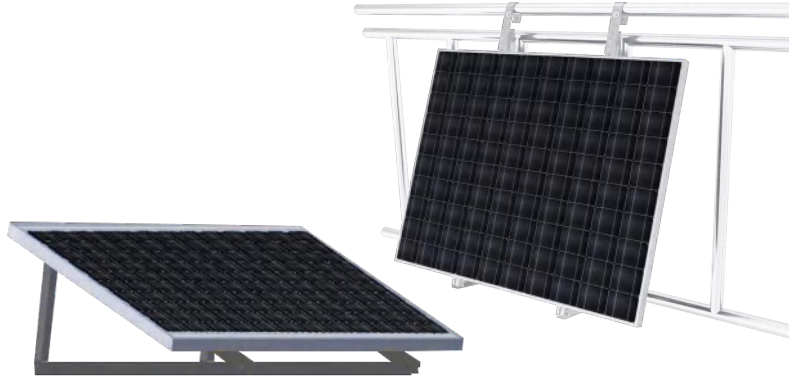


DC Cable
2 pcs (2 meters)

Model	HERF600-P305N
Input	
Input power	305Watt*1
PV open circuit	43.9VOC
Maximum Power Voltage	36.5V
PV short-circuit current	8.75A
Output	
Rated output power	600W
Rated output current	2.61A
Rated voltage range	180-270V (@230V)
Rated frequency range	45-55Hz
Efficiency	96.5%

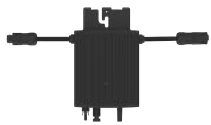
Appearance and technical features	
Temperature range	-40°C to +65°C
Package Size (L*W*H)	1370*1200*230mm
Communication mode	WIFI
Monitoring	APP
Waterproof grade	Ip67
Electromagnetic Detection	EN50081.part1 EN50082.part1 CSA STD.C22.2No.107.1
Power Grid standard	EN61000-3-2 EN62109 UL STD.1741
Power grid detection	DIN VDE0126 IEEE STD.1547.1 1547.A
Certificate	CE, Patented technology

Container loading information	
4 Sets/Pallet	30 Pallets/40HQ 120 Sets/40HQ



HERF300-P305N (305W*1 pcs Black PV Panel)

Packing List



Micro Inverter
300W x 1 pcs



Hanging & Standing
Bracket 1 pcs



Black PV Panel
305Wx 1 pcs



AC End Cable
with EU Plug
1 pcs (3 meters)



Hook
2 pcs

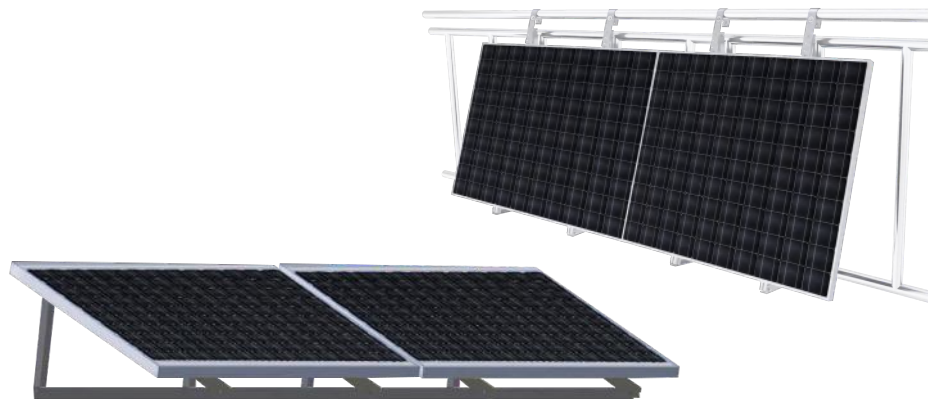
Model	HERF300-P305N
Input	
Input power	305Watt*1
PV open circuit	43.9VOC
Maximum Power Voltage	36.5V
PV short-circuit current	8.75A
Output	
Rated output power	300W
Rated output current	1.3A
Rated voltage range	180-270V (@230V)
Rated frequency range	45-55Hz
Efficiency	96.5%

Appearance and technical features

Temperature range	-40°C to +65°C
Package Size (L*W*H)	1370*1200*170mm
Communication mode	WIFI
Monitoring	APP
Waterproof grade	Ip67
Electromagnetic Detection	EN50081.part1 EN50082.part1 CSA STD.C22.2No.107.1
Power Grid standard	EN61000-3-2 EN62109 UL STD.1741
Power grid detection	DIN VDE0126 IEEE STD.1547.1 1547.A
Certificate	CE, Patented technology

Container loading information

6 Sets/Pallet 30 Pallets/40HQ 180Sets/40HQ



HERF600-P305N (305W*2pcs Black PV Panel)

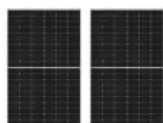
Packing List



Micro Inverter
600W x 1 pcs



Hanging & Standing
Bracket 2pcs



Black PV Panel
305Wx 2pcs



AC End Cable
with EU Plug
1 pcs (3 meters)



Hook
4pcs



DC Cable
2 pcs (2 meters)

Model	HERF600-P305N
Input	
Input power	305Watt*1
PV open circuit	43.9VOC
Maximum Power Voltage	36.5V
PV short-circuit current	8.75A
Output	
Rated output power	600W
Rated output current	2.61A
Rated voltage range	180-270V (@230V)
Rated frequency range	45-55Hz
Efficiency	96.5%

Appearance and technical features	
Temperature range	-40°C to +65°C
Package Size (L*W*H)	1370*1200*230mm
Communication mode	WIFI
Monitoring	APP
Waterproof grade	Ip67
Electromagnetic Detection	EN50081.part1 EN50082.part1 CSA STD.C22.2No.107.1
Power Grid standard	EN61000-3-2 EN62109 UL STD.1741
Power grid detection	DIN VDE0126 IEEE STD.1547.1 1547.A
Certificate	CE, Patented technology

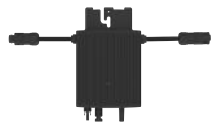
Container loading information

4 Sets/Pallet 30 Pallets/40HQ 120 Sets/40HQ



HERF300-P355S (355W*1 pcs Black PV Panel)

Packing List



Micro Inverter
300W x 1 pcs



Hanging Bracket
1 pcs



Black PV Panel
355Wx 1 pcs



AC End Cable
with EU Plug
1 pcs (3 meters)



hook
2 pcs

Model	HERF300-P355S
Input	
Input power	355Watt*2
PV open circuit	38.4VOC
Maximum Power Voltage	31.9V
PV short-circuit current	11.65A
Output	
Rated output power	300W
Rated output current	1.3A
Rated voltage range	180-270V (@230V)
Rated frequency range	45-55Hz
Efficiency	96.5%

Appearance and technical features

Temperature range	-40°C to +65°C
Package Size (L*W*H)	1780*1045*165mm
Communication mode	WIFI
Monitoring	APP
Waterproof grade	Ip67
Electromagnetic Detection	EN50081.part1 EN50082.part1 CSA STD.C22.2No.107.1
Power Grid standard	EN61000-3-2 EN62109 UL STD.1741
Power grid detection	DIN VDE0126 IEEE STD.1547.1 1547.A
Certificate	CE, Patented technology

Container loading information

6 Sets/Pallet 24 Pallets/40HQ 144 Sets/40HQ



HERF600-P355S (355W*2pcs Black PV Panel)

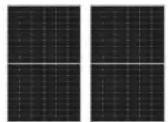
Packing List



Micro Inverter
600W x 1 pcs



Hanging Bracket
2 pcs



Black PV Panel
355Wx 2pcs



AC End Cable
with EU Plug
1 pcs (3 meters)



hook
4 pcs



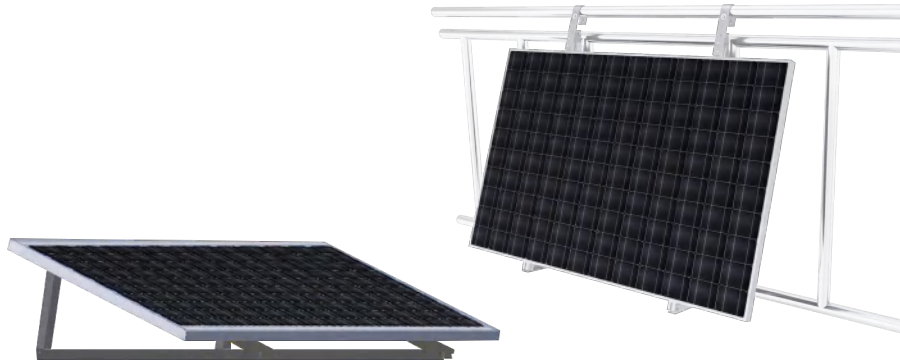
DC Cable
2 pcs (2 meters)

Model		HERF600-P355S
Input		
Input power	355Watt*2	
PV open circuit	38.4VOC	
Maximum Power Voltage	31.9V	
PV short-circuit current	11.65A	
Output		
Rated output power	600W	
Rated output current	2.61A	
Rated voltage range	180-270V (@230V)	
Rated frequency range	45-55Hz	
Efficiency	96.5%	

Appearance and technical features	
Temperature range	-40°C to +65°C
Package Size (L*W*H)	1370*1200*230mm ; 1780*1045*230mm
Communication mode	WIFI
Monitoring	APP
Waterproof grade	Ip67
Electromagnetic Detection	EN50081.part1 EN50082.part1 CSA STD.C22.2No.107.1
Power Grid standard	EN61000-3-2 EN62109 UL STD.1741
Power grid detection	DIN VDE0126 IEEE STD.1547.1 1547.A
Certificate	CE, Patented technology

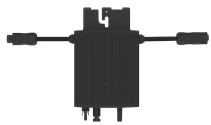
Container loading information

9 Sets/Pallet 12 Pallets/40HQ 108 Sets/40HQ



HERF300-P355N (355W*1 pcs Black PV Panel)

Packing List



Micro Inverter
300W x 1 pcs



Hanging & Standing
Bracket 1 pcs



Black PV Panel
355Wx 1 pcs



AC End Cable
with EU Plug
1 pcs (3meters)



Hook
2 pcs

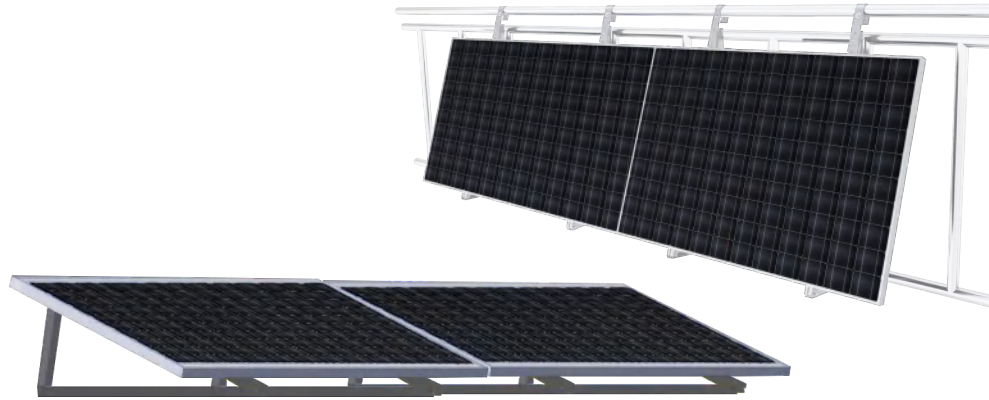
Model	HERF300-P355N
Input	
Input power	355Watt*1
PV open circuit	38.4VOC
Maximum Power Voltage	31.9V
PV short-circuit current	11.65A
Output	
Rated output power	300W
Rated output current	1.3A
Rated voltage range	180-270V (@230V)
Rated frequency range	45-55Hz
Efficiency	96.5%

Appearance and technical features

Temperature range	-40°C to +65°C
Package Size (L*W*H)	1780*1045*165mm
Communication mode	WIFI
Monitoring	APP
Waterproof grade	Ip67
Electromagnetic Detection	EN50081.part1 EN50082.part1 CSA STD.C22.2No.107.1
Power Grid standard	EN61000-3-2 EN62109 UL STD.1741
Power grid detection	DIN VDE0126 IEEE STD.1547.1 1547.A
Certificate	CE, Patented technology

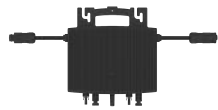
Container loading information

6 Sets/Pallet 24 Pallets/40HQ 144 Sets/40HQ



HERF600-P355N (355W*2pcs Black PV Panel)

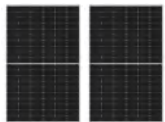
Packing List



Micro Inverter
600W x 1pcs



Hanging & Standing
Bracket 2pcs



Black PV Panel
355Wx 2pcs



AC End Cable
with EU Plug
1pcs (3meters)



Hook
4pcs



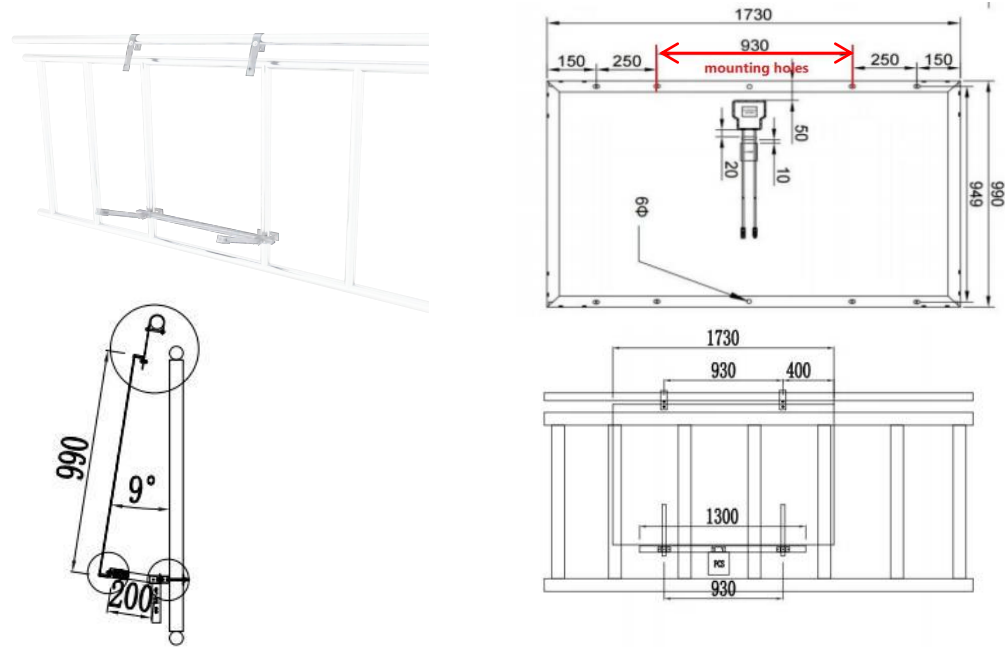
DC Cable
2 pcs (2 meters)

Model	HERF600-P355N
Input	
Input power	355Watt*1
PV open circuit	38.4VOC
Maximum Power Voltage	31.9V
PV short-circuit current	11.65A
Output	
Rated output power	600W
Rated output current	2.61A
Rated voltage range	180-270V (@230V)
Rated frequency range	45-55Hz
Efficiency	96.5%

Appearance and technical features	
Temperature range	-40°C to +65°C
Package Size (L*W*H)	1370*1200*230mm ; 1780*1045*230mm
Communication mode	WIFI
Monitoring	APP
Waterproof grade	Ip67
Electromagnetic Detection	EN50081.part1 EN50082.part1 CSA STD.C22.2No.107.1
Power Grid standard	EN61000-3-2 EN62109 UL STD.1741
Power grid detection	DIN VDE0126 IEEE STD.1547.1 1547.A
Certificate	CE, Patented technology

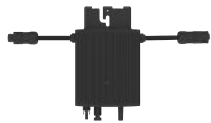
Container loading information

9 Sets/Pallet 12 Pallets/40HQ 108 Sets/40HQ



HERF300S (Balcony kit-without panel)

Packing List



Micro Inverter
300W x 1pcs



Hanging Bracket
1pcs



Hook 2pcs

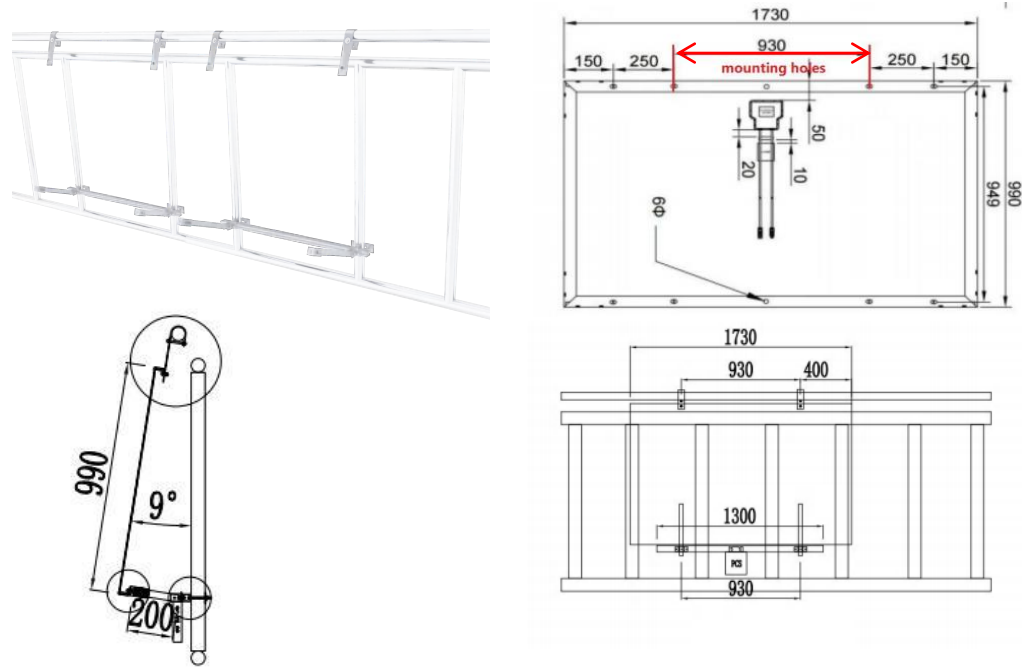


AC End Cable
with EU Plug
1pcs (3meters)

Model	HERF300S
PV	
Input power	250-470w*1
Range of mounting holes (L)	≤1100mm
PV open circuit	22-60Voc
Output	
Rated output power	300W
Rated output current	1.3A
Rated voltage range	180-270V (@230V)
Rated frequency range	45-55Hz
Efficiency	96.5%
Appearance and technical features	
Temperature range	-40°C to +65°C
Communication mode	WIFI
Monitoring	APP
Waterproof grade	Ip67
Electromagnetic Detection	EN50081.part1 EN50082.part1 CSA STD.C22.2No.107.1
Power Grid standard	EN61000-3-2 EN62109 UL STD.1741
Power grid detection	DIN VDE0126 IEEE STD.1547.11547.A
Certificate	CE, Patented technology
Wind Speed	30m/s

Packaging

34 Sets/Pallet 32 Pallets/40HQ 1088 Sets/40HQ



HERF600S (Balcony kit-without panel)

Packing List



Micro Inverter
600W x 1pcs



Hanging Bracket
2pcs
Hook 4pcs



DC Cable
2 pcs (2 meters)

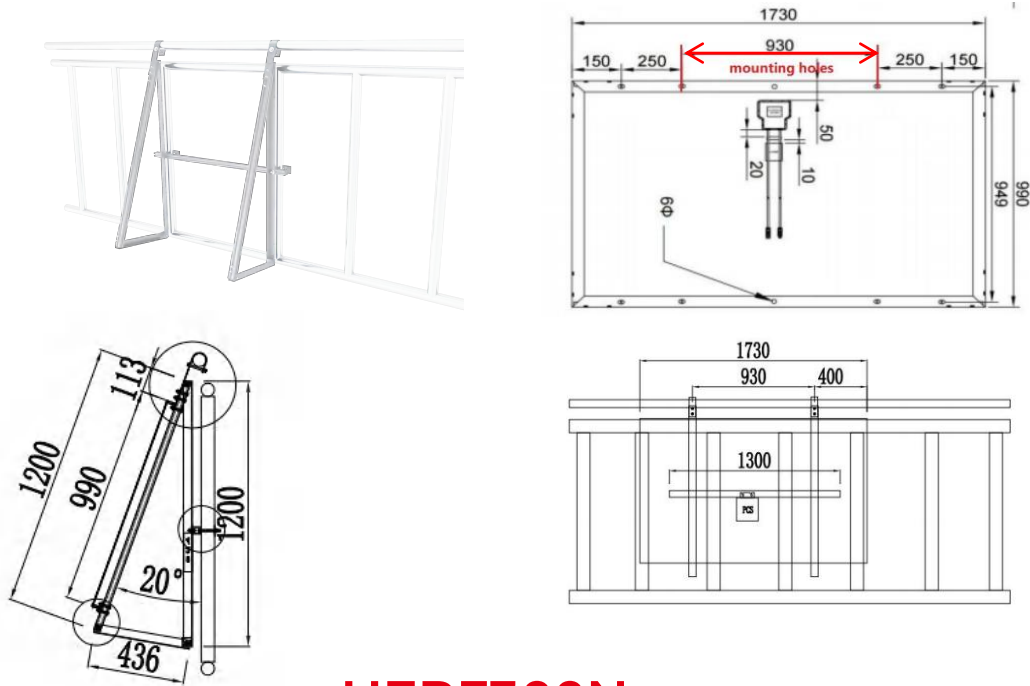


AC End Cable
with EU Plug
1pcs (3meters)

Model	HERF600S
PV	
Input power	250-470w*2
Range of mounting holes (L)	≤1100mm
PV open circuit	22-60Voc
Output	
Rated output power	600W
Rated output current	2.61A
Rated voltage range	180-270V (@230V)
Rated frequency range	45-55Hz
Efficiency	96.5%
Appearance and technical features	
Temperature range	-40°C to +65°C
Communication mode	WIFI
Monitoring	APP
Waterproof grade	Ip67
Electromagnetic Detection	EN50081.part1 EN50082.part1 CSA STD.C22.2No.107.1
Power Grid standard	EN61000-3-2 EN62109 UL STD.1741
Power grid detection	DIN VDE0126 IEEE STD.1547.11547.A
Certificate	CE, Patented technology
Wind Speed	30m/s

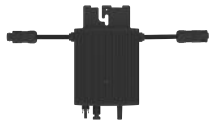
Packaging

22 Sets/Pallet 32 Pallets/40HQ 704 Sets/40HQ



HERF300N (Balcony kit-without panel)

Packing List



Micro Inverter
300W x 1pcs



Hanging & Standing
Bracket 1pcs



Hook 2pcs

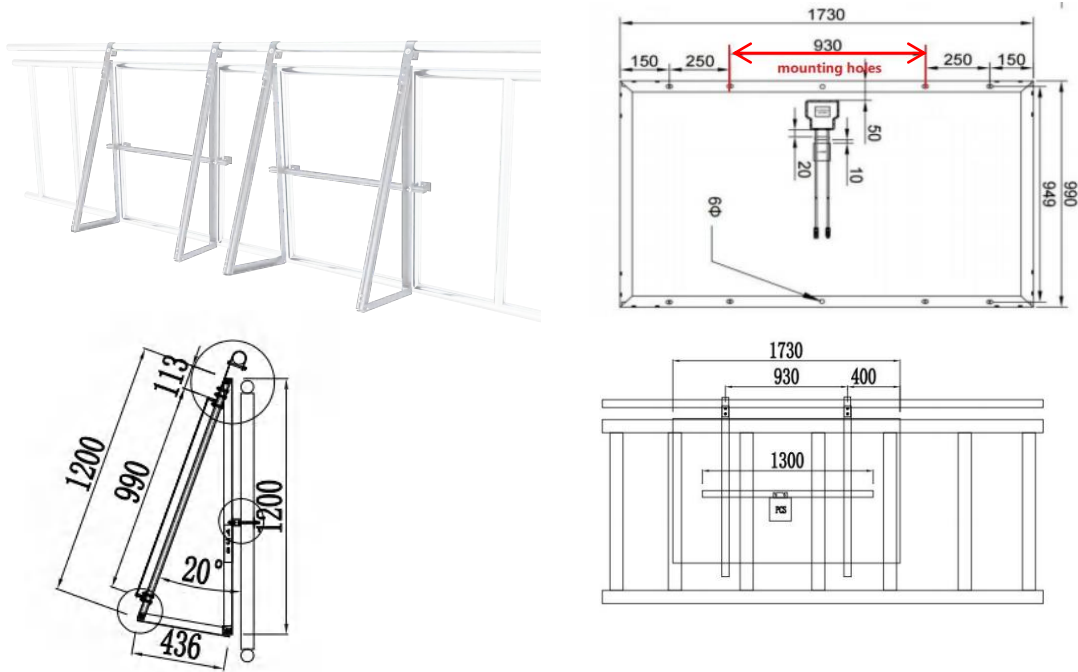


AC End Cable
with EU Plug
1pcs (3meters)

Model	HERF300N
PV	
Input power	250-470w*1
Range of mounting holes (L)	≤1100mm
PV open circuit	22-60Voc
Output	
Rated output power	300W
Rated output current	1.3A
Rated voltage range	180-270V (@230V)
Rated frequency range	45-55Hz
Efficiency	96.5%
Appearance and technical features	
Temperature range	-40°C to +65°C
Communication mode	WIFI
Monitoring	APP
Waterproof grade	Ip67
Electromagnetic Detection	EN50081.part1 EN50082.part1 CSA STD.C22.2No.107.1
Power Grid standard	EN61000-3-2 EN62109 UL STD.1741
Power grid detection	DIN VDE0126 IEEE STD.1547.11547.A
Certificate	CE, Patented technology
Wind Speed	30m/s

Packaging

39 Sets/Pallet 28 Pallets/40HQ 1092 Sets/40HQ



HERF600N (Balcony kit-without panel)

Packing List



Micro Inverter
600W x 1pcs



Hanging & Hanging
Bracket 2pcs
Hook 4pcs



DC Cable
2 pcs (2 meters)

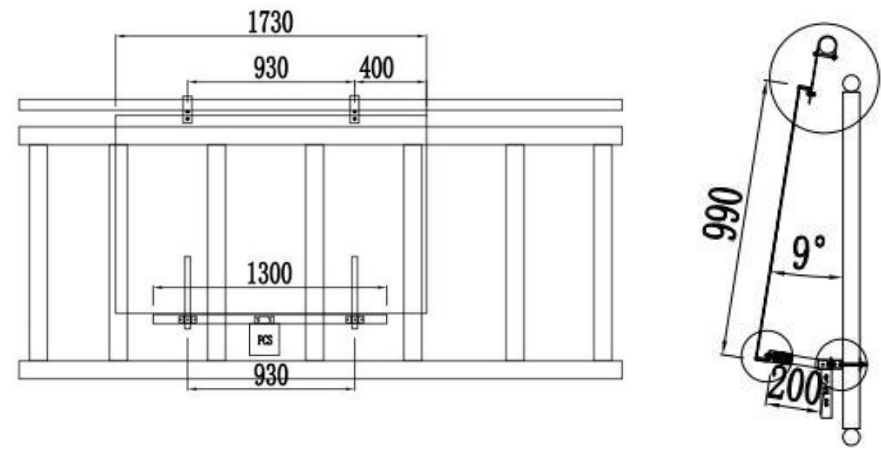
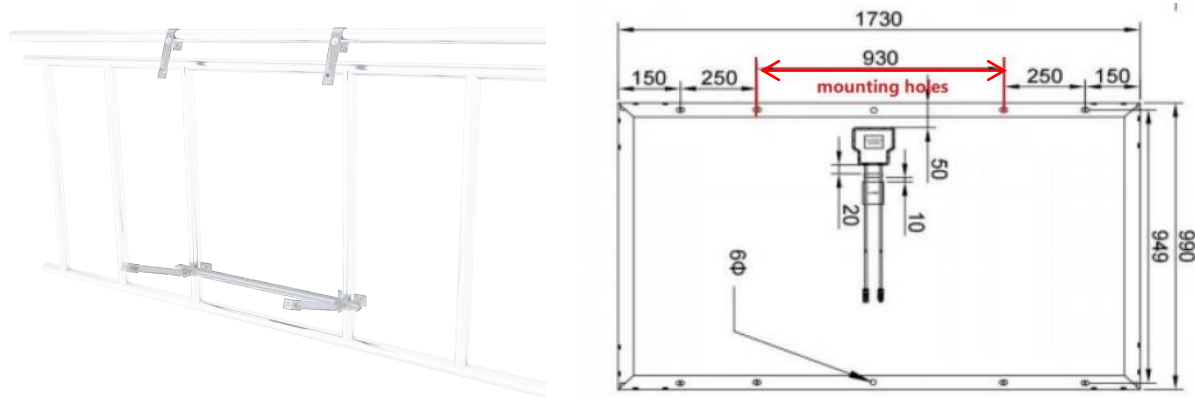


AC End Cable
with EU Plug
1pcs (3meters)

Model	HERF600N
PV	
Input power	250-470w*2
Range of mounting holes (L)	≤1100mm
PV open circuit	22-60Voc
Output	
Rated output power	600W
Rated output current	2.61A
Rated voltage range	180-270V (@230V)
Rated frequency range	45-55Hz
Efficiency	96.5%
Appearance and technical features	
Temperature range	-40°C to +65°C
Communication mode	WIFI
Monitoring	APP
Waterproof grade	Ip67
Electromagnetic Detection	EN50081.part1 EN50082.part1 CSA STD.C22.2No.107.1
Power Grid standard	EN61000-3-2 EN62109 UL STD.1741
Power grid detection	DIN VDE0126 IEEE STD.1547.1 1547.A
Certificate	CE, Patented technology
Wind Speed	30m/s

Packaging

22 Sets/Pallet 28 Pallets/40HQ 616 Sets/40HQ



HERF-S (Balcony kit-brackets)

Packing List



Hook 2pcs

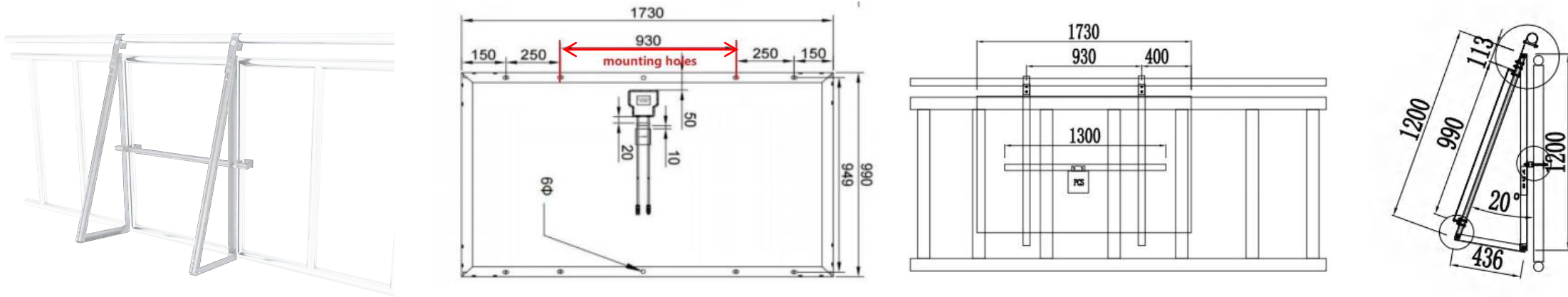


Hanging Bracket
1pcs

Model	HERF-S
Input power	250-470w*1
Range of mounting holes (L)	≤1100mm
Wind Speed	30m/s

Packaging

34 Sets/Pallet 32 Pallets/40HQ 1088 Sets/40HQ



HERF-N (Balcony kit-brackets)

Packing List



Hook 2pcs



Hanging & Standing
Bracket 1pcs

Model	HERF-N
-------	--------

Input power	250-470w*1
-------------	------------

Range of mounting holes (L)	≤1100mm
-----------------------------	---------

Wind Speed	30m/s
------------	-------

Packaging

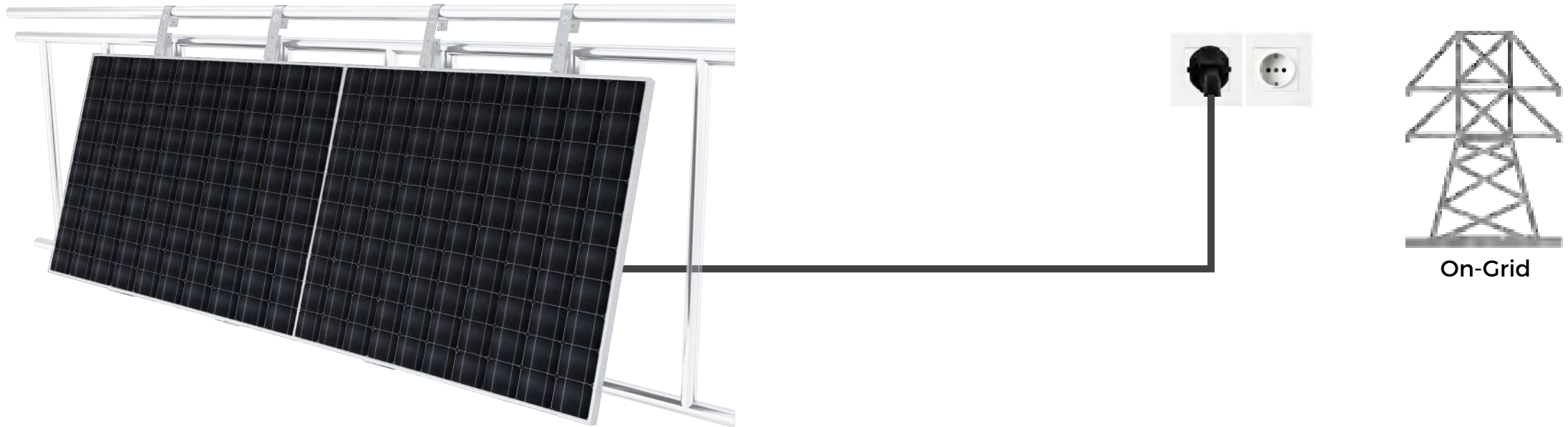
39 Sets/Pallet 32 Pallets/40HQ 1248 Sets/40HQ

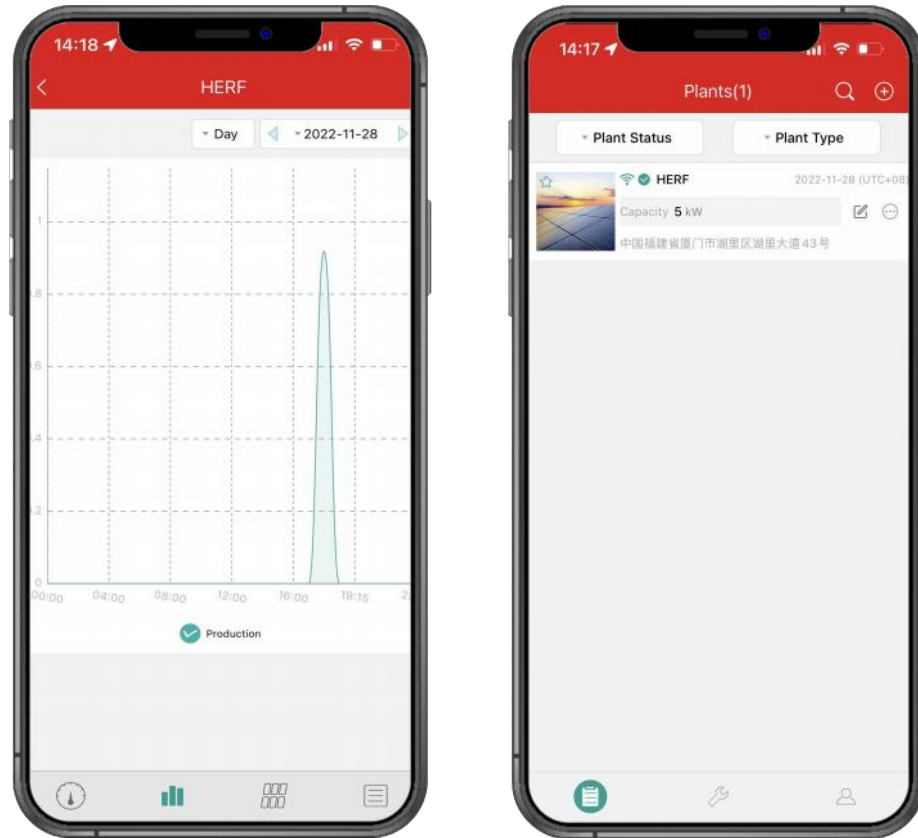


Wireless Communication (optional)

Model	DCU
Communication to Microinverter	
Type	Wireless-2.4G
Maximum distance (open space)	200mm
Max. number of connected microinverter	25
Communication to Cloud	
Signal	Wi-fi (802.11b/g/n) ² /Ethernet
Sample rate	Per 15 minutes
Communication to Meter	
Signal	RS485
Maximum distance (RS485 cable)	500m
Interaction	
LED	LED Indicator*3
APP	Local APP
Power Supply (Adapter)	
Type	External adapter
Adapter input voltage/frequency	100 to 240V AC / 50 or 60Hz
Adapter output voltage/current	5V/ 2A
Power consumption	2.5W(typical), 5W (maximum)
Mechanical Data	
Ambient temperature (°C)	-20°C to 55°C
Dimensions (W*H*D mm)	114*87*28.5
Weight (kg)	0.20kg
Installation options	Wall mounting/ Desktop mounting
Features	
Compliance	CE

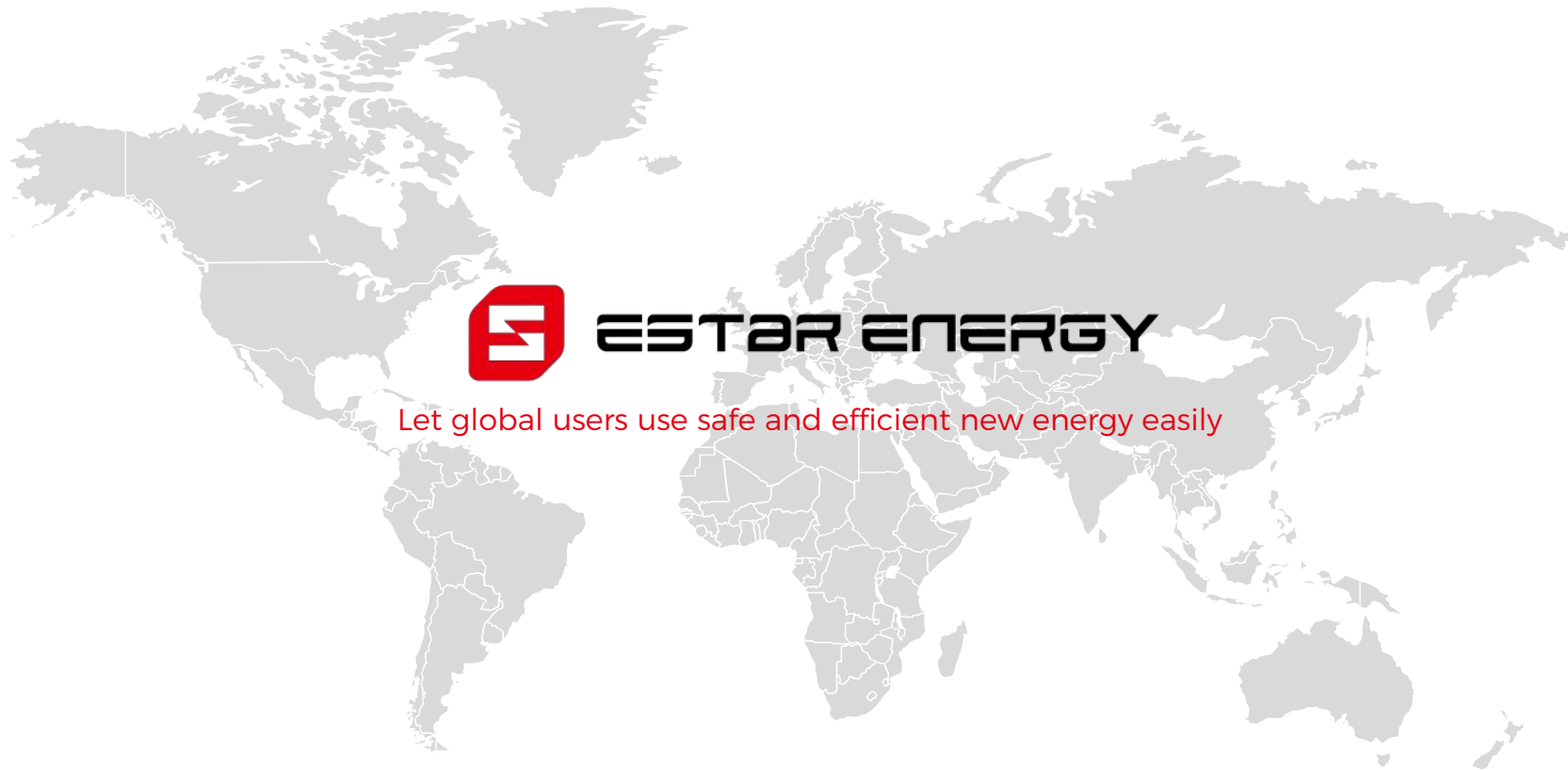
Wi-Fi Communication Mode(optional)





Monitoring Platform

HERF is an energy monitoring mobile application software. Users can use HERF APP to monitor the real-time operation of the entire photovoltaic power generation system, historical power generation data and environmental protection benefits generated by the operation of the system. HERF APP also realizes the monitoring of the running status of each component, and can issue early warning in advance.



Xiamen E-star Energy Co., Ltd.

5F, Liantai Building, No. 43 Huli Avenue, Xiamen, China.

Tel: +86-592-5665969 | +86-13859928137

Email: info@estarpower.com | www.estarpower.com